



# Local Groundwater Update



Public Works Commission Meeting  
June 8, 2017



# Local Groundwater Update

- Staff report summarizes the Hollywood Wells historical information, recent, work performed, & anticipated next steps in one centralized report.
- Four week continuous test completed with similar results to the 2-week test conducted by Hazen & Sawyer. Water quality issues of Manganese, sanding, and iron sulfide remain prevalent.
- No short term solution. Moving forward with pilot/bench scale testing to identify/test potential solutions
- Three-phase approach:
  - ✓ Pre-treatment
  - ✓ Well Rehabilitation
  - ✓ Operational



# Local Groundwater Update

- Pre-Treatment (Wellhead & WTP) – Bench Scale & Pilot Testing
  - ✓ Acidification
  - ✓ Coagulation/Flocculation
  - ✓ Greensand Filtration & B.A.C.T.
  - ✓ Filtration Technology
- Comprehensive Well Rehabilitation
  - ✓ Well Inspection & Cleaning
  - ✓ Chemical Treatment
  - ✓ Mechanical Development
- Operational Improvements
  - ✓ Increase Product Recovery through RO & decrease bypass flow
  - ✓ Blending at Sunset Reservoir
  - ✓ Other Operational Improvements



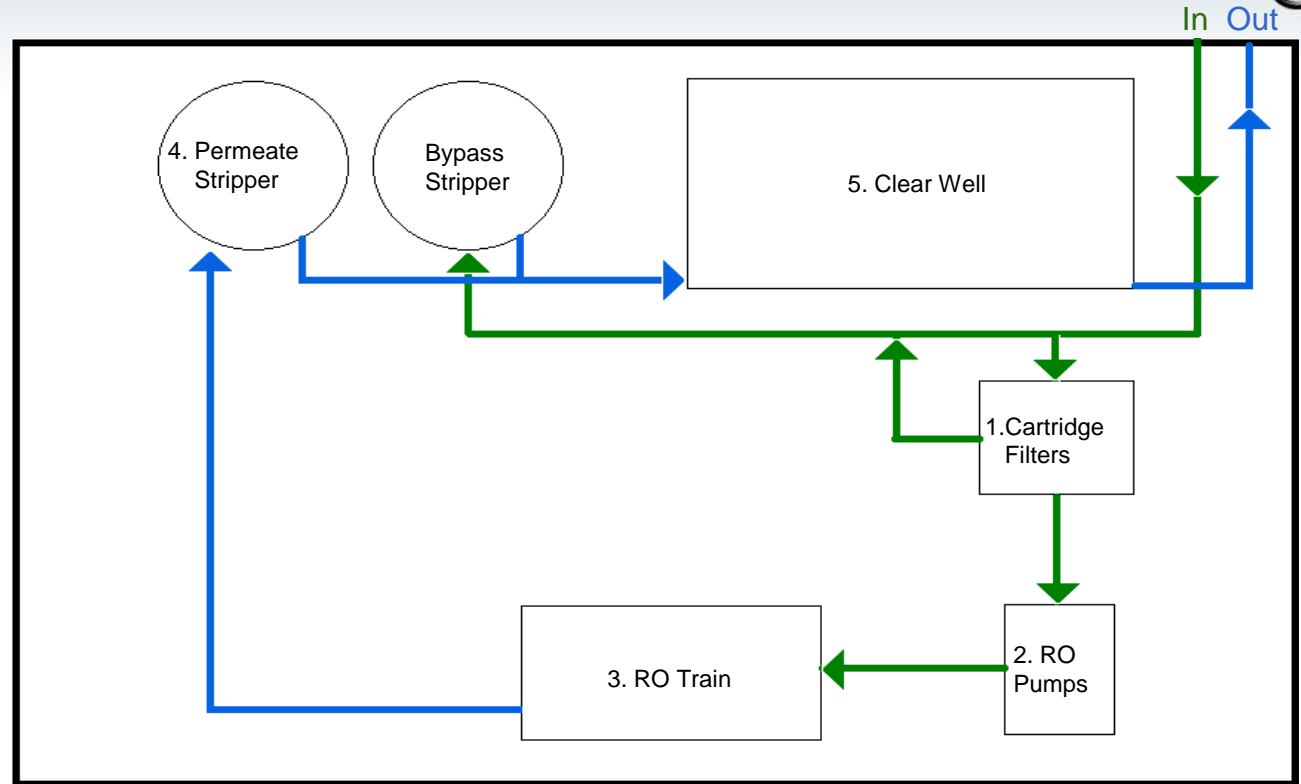
# Local Groundwater Update

Any Questions





# Treatment Plant Flow Diagram



Treated Water	
Raw Water	